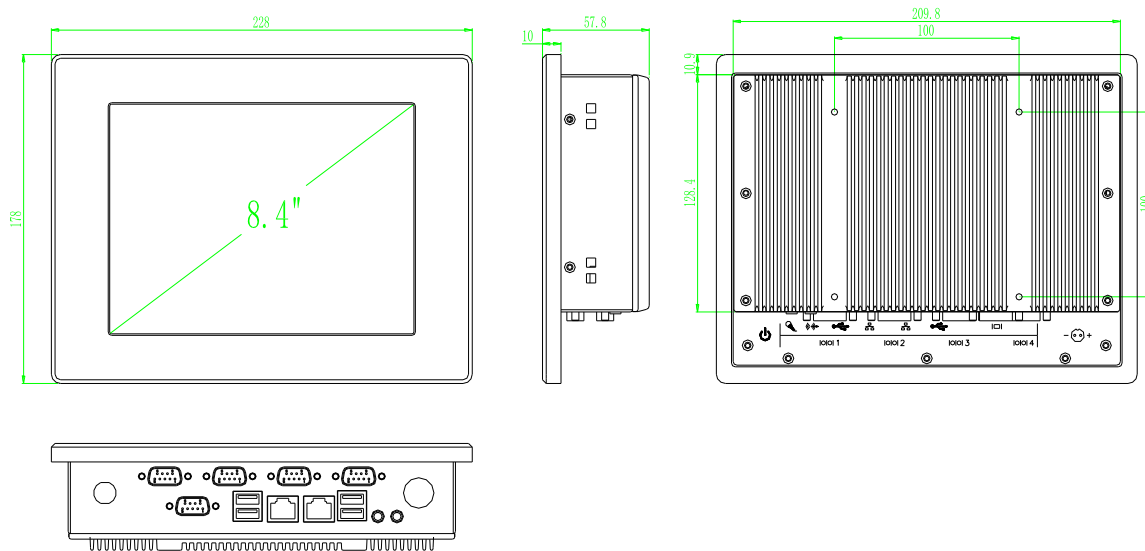


PPC-GS0851T

Pictures



Dimensions



Features:

- Intel® Bay-trail J1900 2.0 GHz Quad core, Max 2.4GHz
- 8" TFT LED screen
- Resistive touch screen
- Fully-sealed fanless design, suitable for harsh industrial environment applications
- 2G memory (DDRIII) on board, Max 4GB optional
- 1*USB3.0 + 3*USB 2.0
- 4*RS232 (1 x RS422/RS485 optional)
- 1*VGA
- 2*Intel i211 GbE RJ45
- 9~24V wide-range DC input
- Color: Silver/Black/White

Specifications:

Display Feature	Display Screen	8" TFT LED
	Size ratio	4:3
	Resolution	800x600
	Brightness	300 cd/m2
	Contrast ratio	400:1
	Touch Screen	Resistive touch screen
Performance	Chipset	Intel® Bay-trail J1900 2.0GHz quad core, Max 2.4GHz
	Memory	2G memory (DDRIII)on board , Max 4GB optional
	Hardware Monitor	Monitors voltage, Temperature
	Watchdog Timer	0 to 255 sec by software
	Storage	SSD
Power	Power Supply	9~24VDC
	Power Dissipation	13W (standby) 17W (rated power).
I/O Interface	USB	3 *USB 2.0 Ports + 1*USB 3.0
	Serial Port	4*RS232 (1 or 2*RS485/RS422 Optional)
	Ethernet	2* Intel i211 GbE RJ45
	Audio	1*Line out, 1*Mic in
	Display	1*VGA
	GPIO	4 in/out optional
	Expansion	1*Mini PCIe
O/S	O/S	Windows 7/ Windows 8/ Linux
Environmental	Anti-vibration	5-19Hz/1.0mm amplitude; 19-200Hz/1.0g,acceleration
	Anti-shock	10g acceleration, 11ms duration
	IP Level	Front panel IP65 (Optional)
	Reliability	MTBF≥50000h; MTTR≤0.5h
	Operating Temperature	-20℃ ~60℃ (with air flow)
	Storage Temperature	-30℃ ~70℃
	Operating Humidity	95% @40℃, non-condensing
Mechanical	Dimensions	228mm (L) *178 mm (W) *58.5 mm (H)
	Material	High-strength and elegant Al-alloy panel
	Weight	2.0kg/2.6kg (NET./GROSS.)
	Color	Silver/Black/White