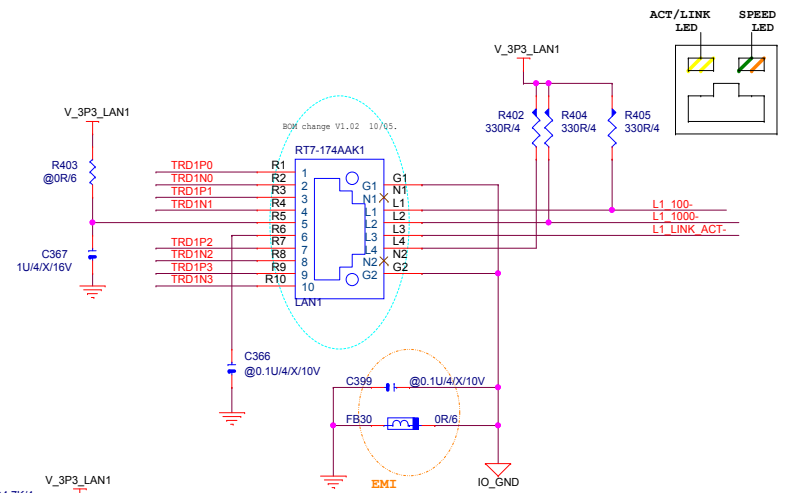
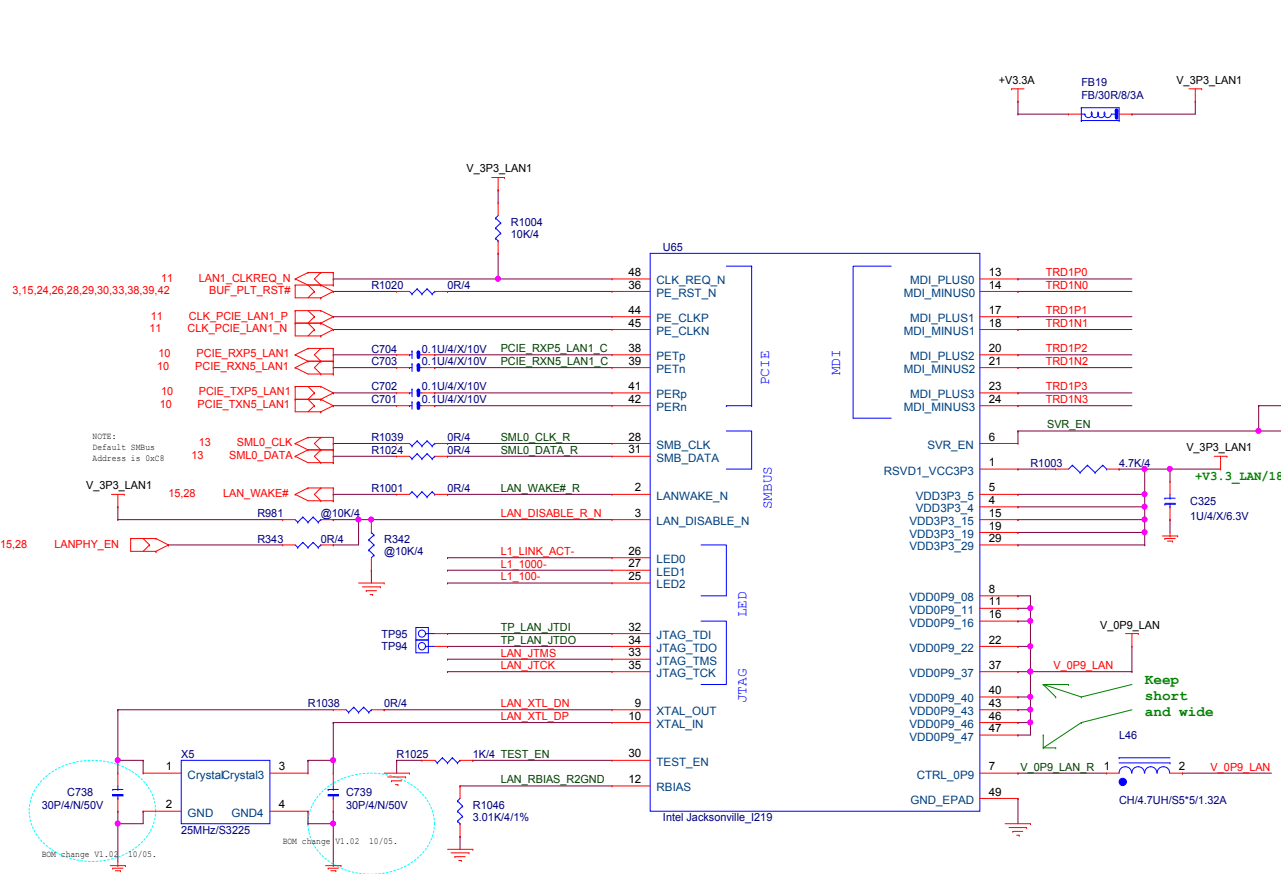


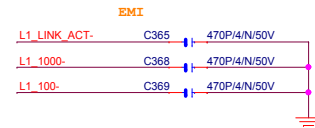
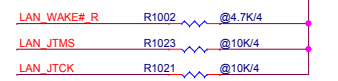
ACTIVITY LED
Green = LINK UP
BLINKING = TX/RX ACTIVITY

SPEED LED
Off = Link 10 Mbps
Green = Link 100 Mbps
Orange = Link 1000 Mbps

ACT / LINK LED		SPEED LED	
Status	Description	Status	Description
OFF	No Link	OFF	10 Mbps connection
YELLOW	Link	GREEN	100 Mbps connection
BLINKING	Data activity	ORANGE	1 Gbps connection



Connect to GND for internal SVR use.
Connect to VDD3P3_IN when using external power.



LAN1 INTEL I219		Rev	1.00
NANO-ULT3-i5-R10-SR_SAKO		Date:	Friday, July 27, 2018
Sheet	27	of	57