

Figure 1: Communication via *Avalon - ST*

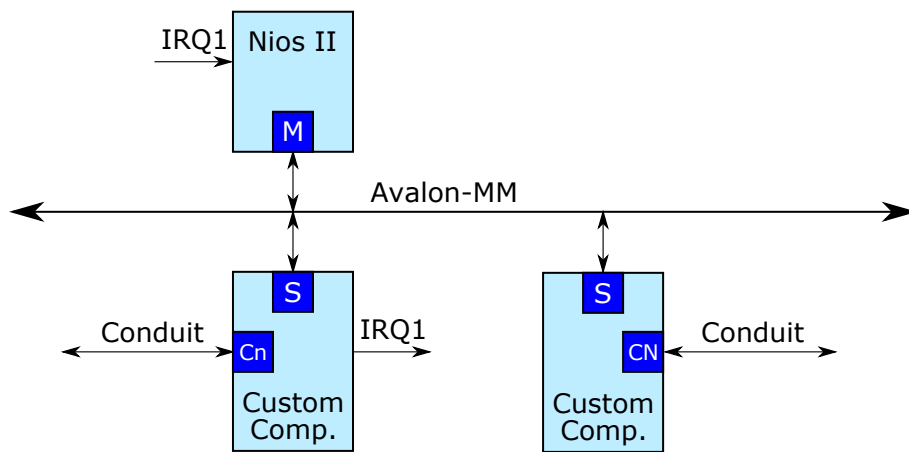


Figure 2: Communication via Interrupt