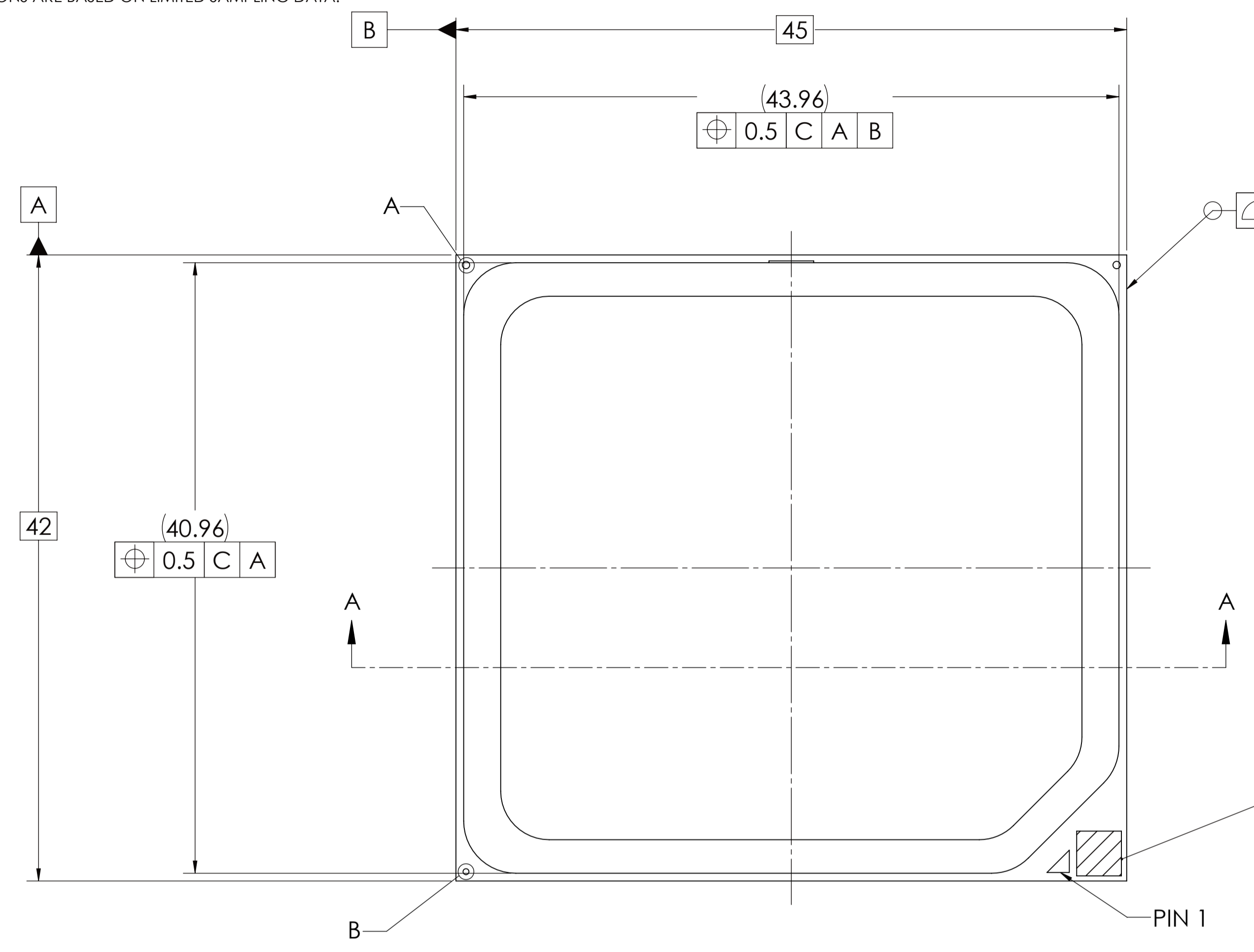


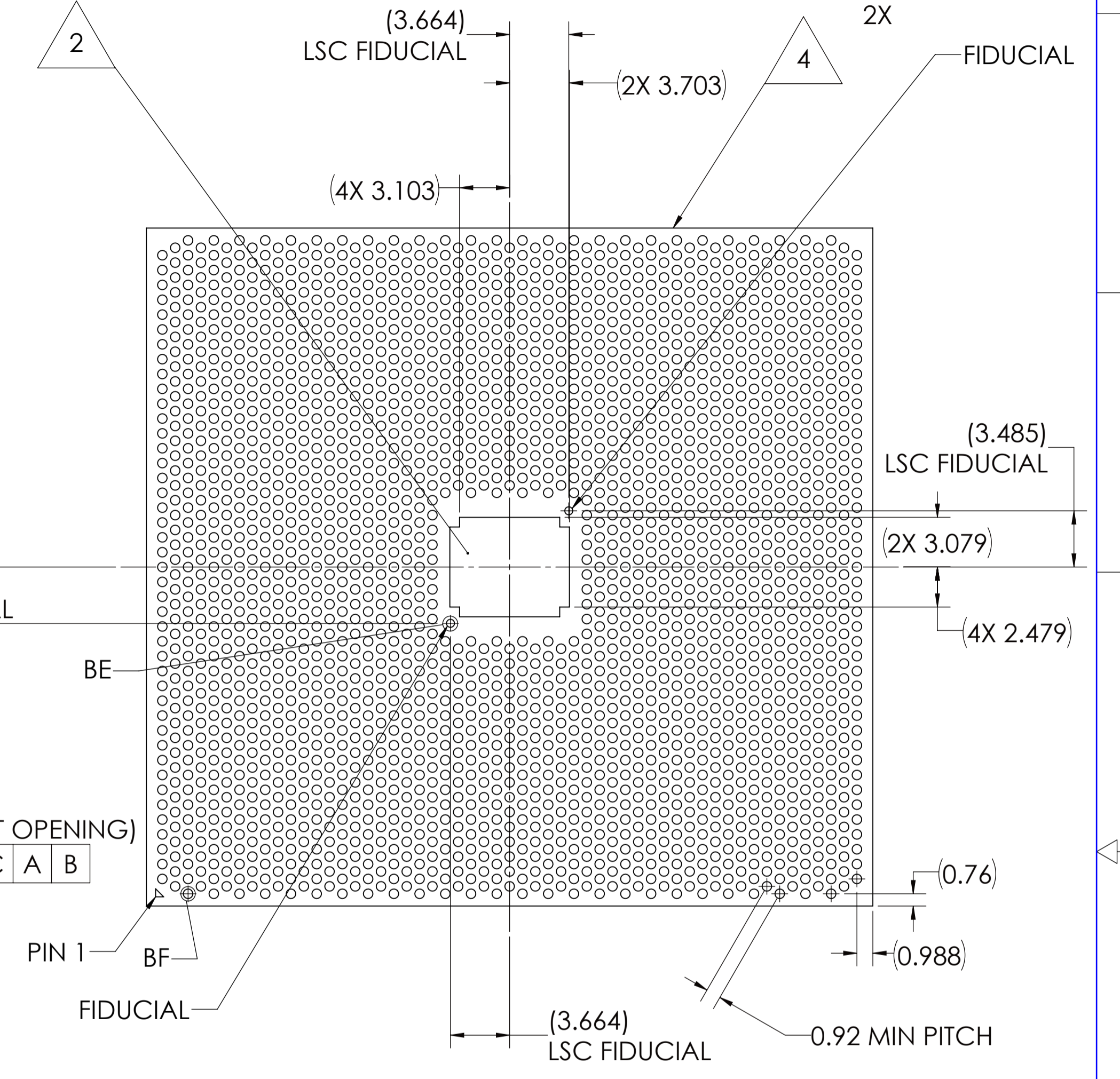
THIS DRAWING CONTAINS INTEL CORPORATION CONFIDENTIAL INFORMATION. IT IS DISCLOSED IN CONFIDENCE AND ITS CONTENTS MAY NOT BE DISCLOSED, REPRODUCED, DISPLAYED OR MODIFIED, WITHOUT THE PRIOR WRITTEN CONSENT OF INTEL CORPORATION.

- NOTES:
1. ALL TOLERANCES ARE RSS (4 SIGMA).
 2. ALL Z STACK UP HEIGHT ESTIMATES ARE BASED ON PRE SMT BALL HEIGHT.
 3. MARK KOZ, NO COMPONENTS ALLOWED.
 4. NOMINAL PACKAGE MASS ESTIMATE = 24.4 GRAMS. ACTUAL WEIGHT MAY VARY DUE TO MANUFACTURING PROCESS.
 5. ALL Z-HEIGHT RELATED DIMENSIONS ARE BASED ON LIMITED SAMPLING DATA.
 6. PRELIMINARY VALUE
 7. LSC KIZ.
 8. INCOMNG BALL SIZE 22mils



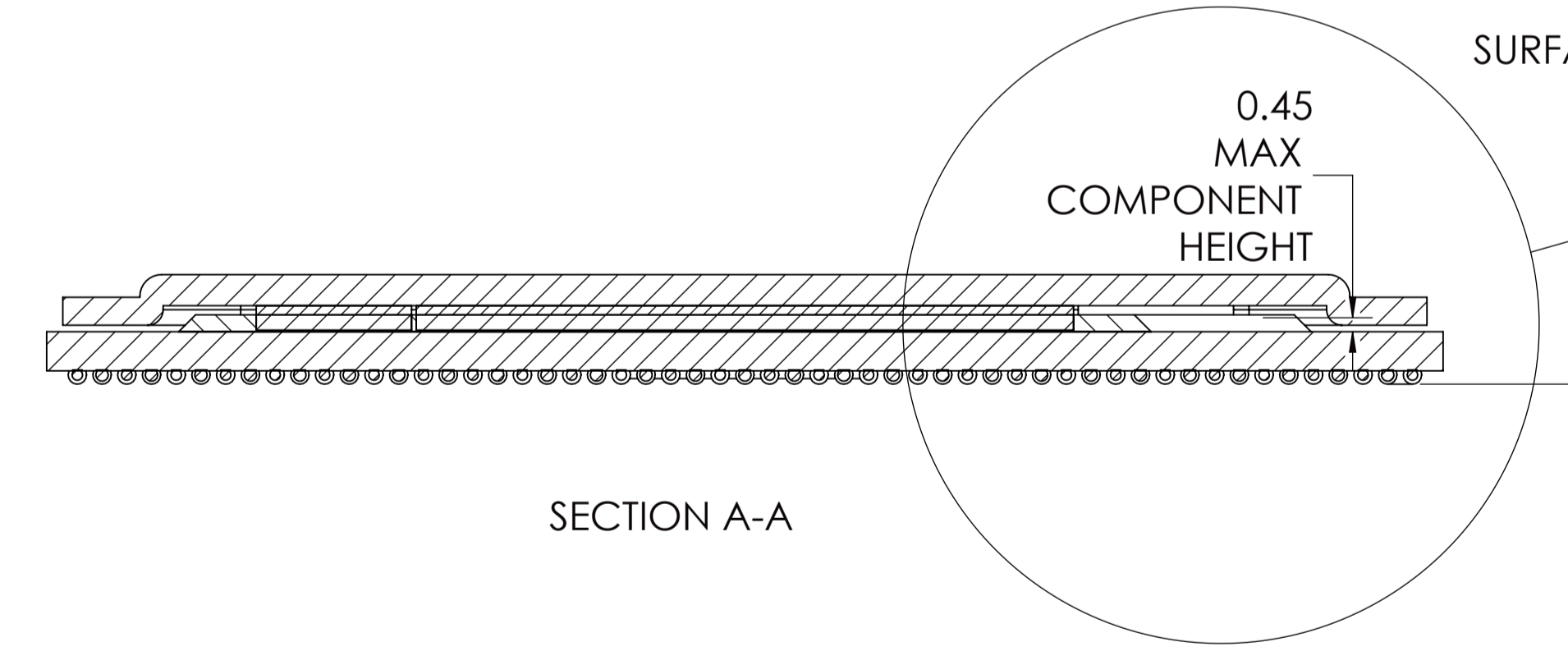
DETAIL B
SCALE 16 : 1
SURFACE ALIGNMENT
FIDUCIAL

DETAIL BE
SCALE 16 : 1
LSC FIDUCIAL
2X

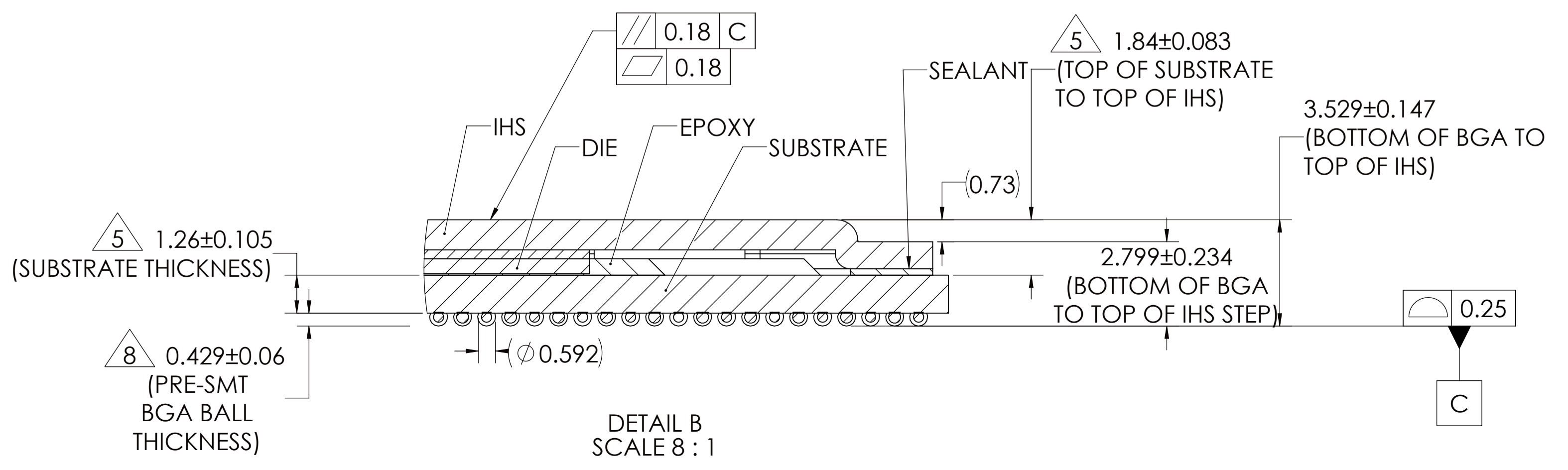


DETAIL A
SCALE 16 : 1
SURFACE ALIGNMENT FIDUCIAL
2X

DETAIL BF
SCALE 16 : 1
2340X



SHEET 5



UNLESS OTHERWISE SPECIFIED: DIMENSIONS ARE IN MILLIMETERS. INTERPRET DIMENSIONS AND TOLERANCES PER ASME Y14.5-2009.	DESIGNED BY	DATE	DEPARTMENT	 2200 MISSION COLLEGE BLVD. P.O. BOX 58119 SANTA CLARA, CA 95052-8119
	DRAWN BY	DATE	TITLE	
	CHECKED BY	DATE	PACKAGE MECHANICAL DRAWING 45mm X 42mm, 5-2-5 12 LAYER STACKUP, 2340 BGA	
	APPROVED BY	DATE		
MATERIAL:	THIRD ANGLE PROJECTION		SIZE	DRAWING NUMBER
SEE NOTES			A1	M42380
			SCALE: 4:1	DO NOT SCALE DRAWING
				SHEET 1 OF 2

8

7

6

5

4

3

1

DWG. NO. M42380 SH. 2 REV. 01

THIS DRAWING CONTAINS INTEL CORPORATION CONFIDENTIAL INFORMATION. IT IS DISCLOSED IN CONFIDENCE AND ITS CONTENTS MAY NOT BE DISCLOSED, REPRODUCED, DISPLAYED OR MODIFIED, WITHOUT THE PRIOR WRITTEN CONSENT OF INTEL CORPORATION.

H
G
F
E
D
C
B
A

H
G
F
E
D
C
B
A

ZONE	REV	DESCRIPTION	DATE	APPR.
-	1	PRELIMINARY RELEASE	04/01/2021	KK

8

7

6

5

4

3

2

1