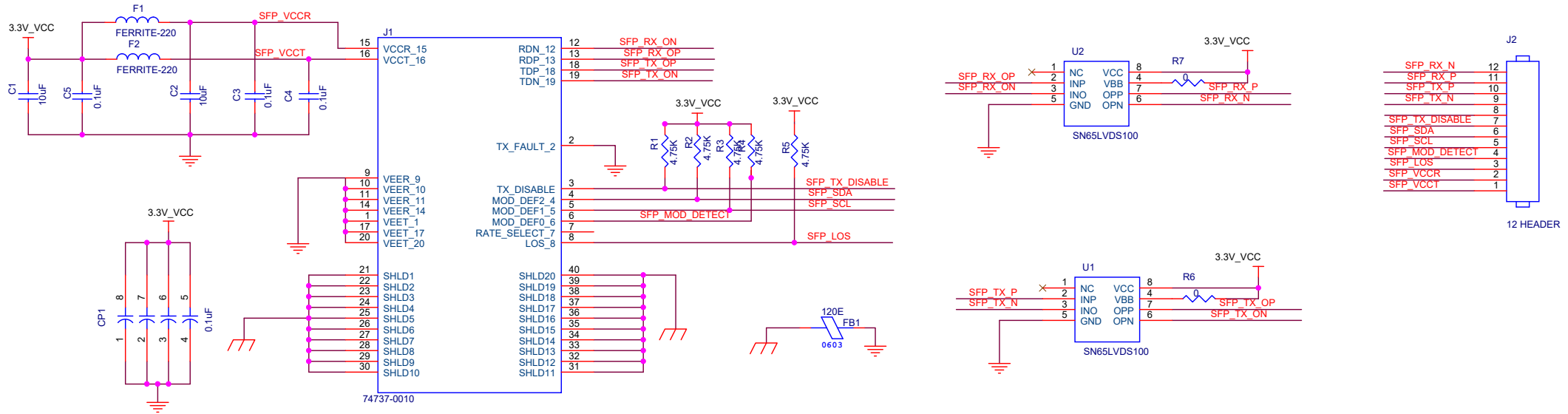


SFP Module



Title		<Title>
Size	Document Number	Rev
Custom	<Doc>	<RevCode>
Date:	Monday, August 21, 2017	Sheet 1 of 1